



- ▶ **High quality micro switches for a wide range of applications**
- ▶ **Excellent performance, high reliability and long service life**
- ▶ **UL/cUL and ENEC certification**
- ▶ **Applications - mouse, joystick, small home appliance, central heating control, Telephone, Air conditioner, Computer, Humidifier, Alarm, Time recorder, Mixer & Chopper, Solder gun, Neon phone, Fax machine, Joystick, Water pump, Gas detector, Pencil sharpener, Money sorter, Food processor, Electric knife, Toy car, Juice maker, Electric steak pan**

Specifications	
Contact resistance (initial)	Max. 300mΩ Measured by ohm meter –Open Voltage<1VDC, Driver current -100mA
Insulation Resistance (at 500 VDC / minute)	Min. 100 MΩ
Dielectric Strength	Min. 500VAC (50-60HZ)/minute between live parts. Min. 1500VAC (50-60HZ)/minute between live parts and dead metal parts
Operating Temperature Range	-40°C to +125°C (with no icing)
Vibration	10~55Hz, displacement 0.75 mm (p-p)
Electrical Service Life	Min. 10,000 operations
Electrical Operating Frequency	10~30 operations per minute
Mechanical Service Life	Min. 2,000,000 operations
Mechanical Operating Frequency	120 operations per minute
Operating application of the switch	Set the switch pushing distance from 60% to 90% of the specified OT value



Certification specification

Model name	UL - cUL	ENEC
SW2-C1	0.1RA 125/250VAC uT125 1E4	0.1A 125/250VAC uT125 1E4
SW2-C3	3GPA 125/250VAC uT125 1E4	3A 125/250VAC uT125 1E4
SW2-06	5RA 30VDC uT125 1E4 6GPA 125/250VAC uT125 1E4	5A 30VDC uT125 1E4 6A 125/250VAC uT125 1E4
SW2-10	5RA 30VDC uT125 1E4 10RA 125/250VAC uT125 1E4 10GPA 125/250VAC uT125 1E4	5A 30VDC uT125 1E4 10(2)A 125/250VAC uT125 1E4
SW2-H10	5RA 30VDC uT125 1E4 10RA 125/250VAC uT125 1E4 10GPA 125/250VAC uT125 1E4 1/4HP 125/250VAC uT125 1E4	5A 30VDC uT125 1E4 10(2)A 125/250VAC uT125 1E4

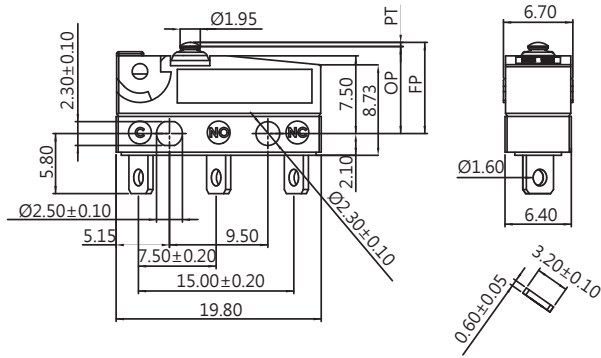
Selection of rating & force

MODEL	Rating	L	S	H
SW2	0.1A	★	★	★
	3A	★	★	★
	6A	★	★	★
	10A 10(2)A		★	★
	1/4 hp 10A 10(2)A		★	★

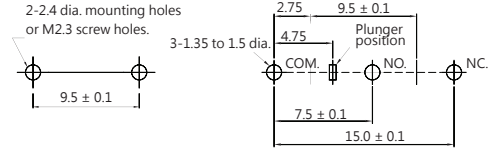
NOTE: The symbol " ★ " represents the result is accepted

Dimensions

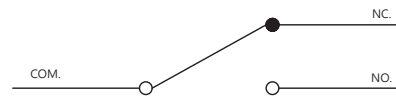
Unless otherwise specified, a tolerance of $\pm 0.4\text{mm}$ applies to all dimensions.



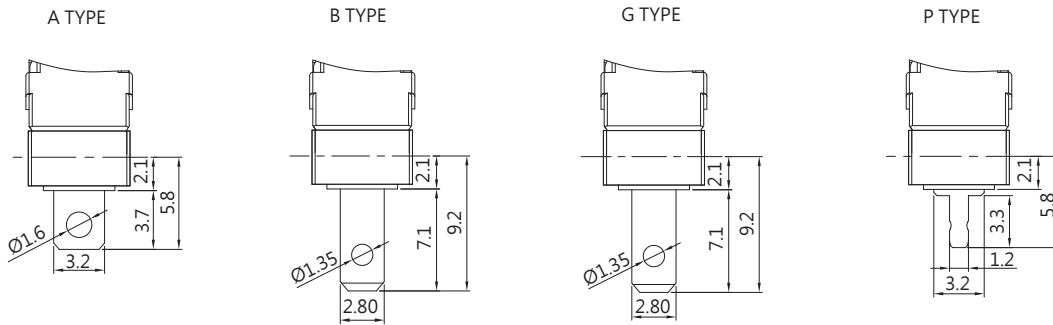
MOUNTING HOLES



CONTACT CONFIGURATION



Terminal types



Terminal $t=0.5\text{mm}$



Ordering information

(Please use the characters in the chart below to create your product code)

Sample code SW2 - 06 S 1 - 00 A 0 - Z

Rating Current		06	S	1	-	00	A	0	-	Z
C1	0.1A 125/250VAC									
C3	3A 125/250VAC									
06	6A 125/250VAC									
10	10A 125/250VAC 10(2)A 125/250VAC									
H10	10A 125/250VAC 10(2)A 125/250VAC 1/4hp 125/250VAC									
Operating Force		06	S	1	-	00	A	0	-	Z
H	Heavier									
S	Standard									
L	Light									
Actuator Type		06	S	1	-	00	A	0	-	Z
00										
01										
02										
03										
Terminal Type		06	S	1	-	00	A	0	-	Z
A										
B										
P										
G										



Ordering information

(Please use the characters in the chart below to create your product code)

Sample code SW2 - 06 S 1 - 00 A 0 - Z

Circuit Arrangement

0	S.P.D.T.
1	S.P.S.T.NO
2	S.P.S.T.NC

Rating Current	Operating Force
C1	L, S, H
C3	L, S, H
06	L, S, H
10	S, H
H10	S, H

If you require a customized solution for your program contact our sales team.



Betriebseigenschaften

SWITCH TYPE	PART SUFFIX	OF Max. (gf)		OP (mm)	PT Max. (mm)	OT Min. (mm)	MD Max. (mm)	FP Max. (mm)	RF Min. (gf)	
		H	S						H	S
SW2- □□□□ -00 □□ -Z		H	300	8.4 ± 0.3	1.2	0.4	0.2	9.9	H	70
		S	203						S	50
		L	150						L	30
SW2- □□□□ -01 □□ -Z		H	121	8.8 ± 1.1	4.3	0.6	0.6	1.2	H	17
		S	82						S	16
		L	73						L	14
SW2- □□□□ -02 □□ -Z		H	105	8.8 ± 1.2	4.8	0.67	0.7	12.4	H	14
		S	66						S	13
		L	55						L	11
SW2- □□□□ -03 □□ -Z		H	72	8.8 ± 1.6	6.3	0.89	0.9	13.5	H	12
		S	54						S	11
		L	29						L	6
SW2- □□□□ -04 □□ -Z		H	106	10.7 ± 1.2	4.6	0.64	0.75	14.3	H	15
		S	68						S	14
		L	42						L	7
SW2- □□□□ -05 □□ -Z		H	100	14.5 ± 1.1	4.3	0.6	0.6	17.7	H	16
		S	72						S	15
		L	54						L	4
SW2- □□□□ -06 □□ -Z		H	165	8.8 ± 0.9	3.2	1.0	0.5	11.1	H	23
		S	98						S	21
		L	66						L	10
SW2- □□□□ -07 □□ -Z		H	65	8.8 ± 2.6	10.1	1.5	2.3	16.3	H	8
		S	39						S	8
		L	33						L	1
SW2- □□□□ -08 □□ -Z		H	106	11.3 ± 1.3	4.9	0.6	0.8	14.9	H	14
		S	68						S	13
		L	42						L	6
SW2- □□□□ -09 □□ -Z		H	50	8.8 ± 3.5	13.8	1.0	3.6	19.1	H	7
		S	33						S	7
		L	23						L	1